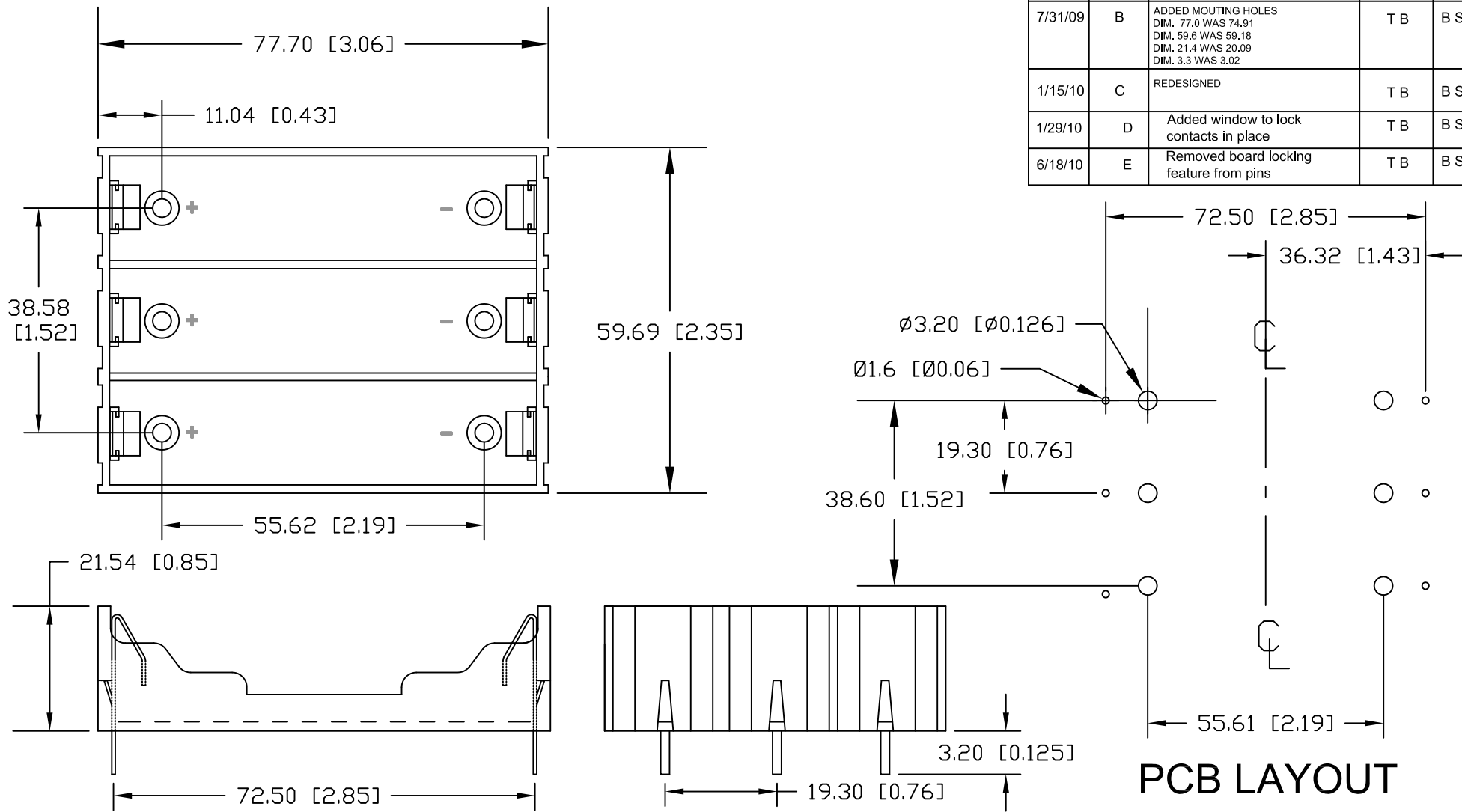



Date	SYM	REVISION RECORD	AUTH	DR.	CK.
7/31/09	B	ADDED MOUNTING HOLES DIM. 77.0 WAS 74.91 DIM. 59.6 WAS 59.18 DIM. 21.4 WAS 20.09 DIM. 3.3 WAS 3.02	T B	B S	
1/15/10	C	REDESIGNED	T B	B S	
1/29/10	D	Added window to lock contacts in place	T B	B S	
6/18/10	E	Removed board locking feature from pins	T B	B S	



NOTES:

Material: PBT, 30% Glass filled, UL94V-0, UL file No. E53829
 Contacts: 302 Stainless Steel Spring Temper, Nickel Plated
 Heat Deflection Temperature: 60°C
 Vibration Test: 10-50-10 Hz swept in 60 seconds
 X,Y,Z direction: 1 hour each direction
 Result: No dislodgement of the cell or damage
 No discontinuity over 10 micro-seconds
 Shock Test: Half sine wave acceleration 150G. 6 micro-seconds
 3 shock pulses each direction per axis, total of 18 pulses
 Result: No evidence of physical damage.
 ROHS COMPLIANT

Tolerance (Inches)	 Memory Protection Devices, Inc 200 Broad Hollow Road, Farmingdale, New York 11735		
Decimal ±.5 (.020)	Scale	Drawn By B.S.	
Fractional ±.8 (.030)	Title THREE 18650 LI-ION CELL HOLDER		
Angular ± 3°	Date 6/18/10	Drawing Number BK-18650-PC6	
		Approved By T.B.	